



# Eagle Tugs Service Bulletin

## ESB-01-08

Date: October 7, 2008

Affected Models: RTT-12E

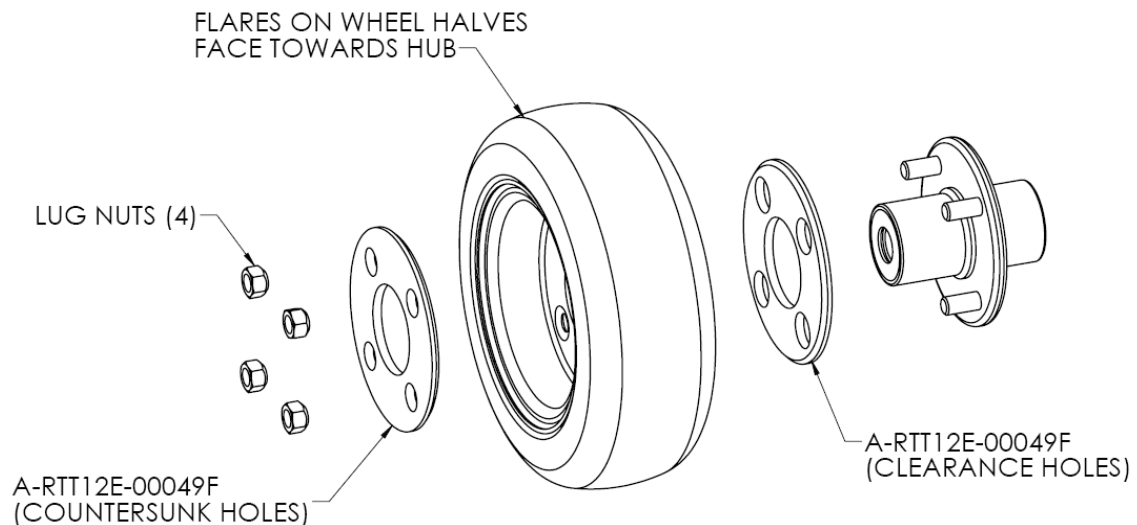
Subject: Steerable Wheel Reinforcement Install Procedure

### Background:

Based on instances of front steerable wheel failures during use, Eagle Tugs has implemented the following change. The proper installation of parts A-RTT12E-00049E and A-RTT12E-00049F will reinforce the steerable wheel and prevent failures. Please refer to the attached procedure for proper installation.

### Installation Procedure:

- 1) Disconnect APC 350 battery plug and socket.
- 2) Safely jack tractor up and insert (3) safety stands spaced with (2) under frame (below battery).
- 3) Remove front steered axle, spacers, and wheel assembly.  
Note: If receiving complete wheel assemblies, skip to step 7.
- 4) Disassemble wheel and hub assembly, removing and discarding the (4) flange nuts.
- 5) Re-assemble the wheel and hub, inserting A-RTT12E-00049E and A-RTT12E-00049F according to the below diagram:



- 6) Torque the (4) lug nuts to 75-85 ft-lb.
- 7) Reassemble the front steered axle, spacers, and wheel assembly.
- 8) Jack tractor up, remove the (3) safety stands, and safely lower to floor.
- 9) Reconnect APC-350 battery plug and socket.

If you have any questions, please contact Eagle technical support at 734-442-1000.