



UPHOLDING A VISION.

# tvmount

Product Number WLT

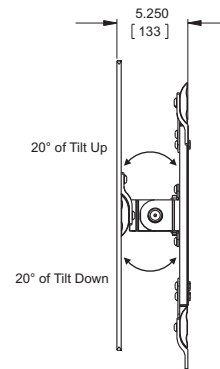
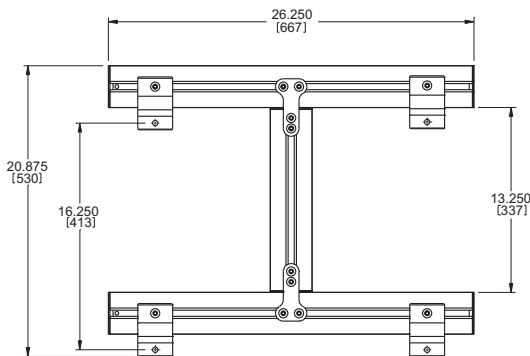
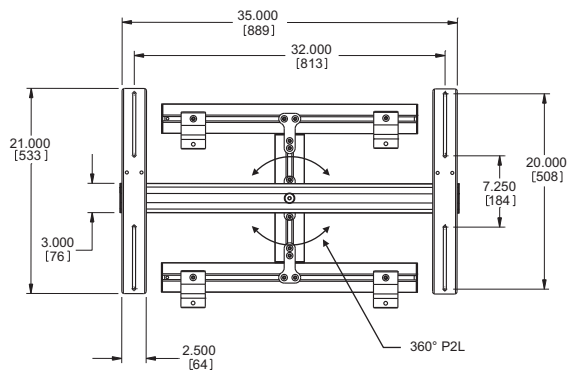
# largetilt

Supports Flat Panels up to 65" or 150 lbs.



## Product features:

- 40° total tilt range (20 up, 20 down)
- 360° rotation portrait to landscape – allows for easy leveling.
- Screws can be loosened on wall hooks to allow for easy horizontal position adjustment of up to 7 inches.
- Screws can be loosened on pivot plate for a vertical adjustment of up to 5-1/2 inches.
- Upright mounting hooks allow for easy installation.
- Variety of fasteners and spacers included to accommodate most flat panel VESA patterns.



## Product specifications:

Model: WLT

|                            | ENGLISH   | (METRIC)   |
|----------------------------|---|--|
| COMMON SCREEN SIZES:       | 37"-65"   | (94.0cm - 165.1cm)   |
| MAX LOAD:                  | 150lbs  | (68.0kg)   |
| HOLE PATTERN RANGE: (VESA) | 7-7/8 X 7-7/8", 7-7/8 X 15-3/4", 15-3/4 X 15-3/4", 15-3/4 X 23-5/8", 19-5/8 X 23-5/8", 19-5/8 X 31-1/2" | (200 X 200mm, 200 X 400mm, 400 X 400mm, 400 X 600mm, 500 X 600mm, 500 X 800mm) |
| DIMENSIONS:                | 21" X 35" X 5-1/4"  | (53.3 X 88.9 X 13.3cm)   |
| SHIPPING WEIGHT:           | 18lbs   | (8.2kg)  |

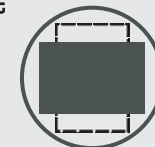
**10 Year Warranty - Minimal Assembly Required**  
Designed, Engineered, and Manufactured in USA



tilt



leveling



P2L