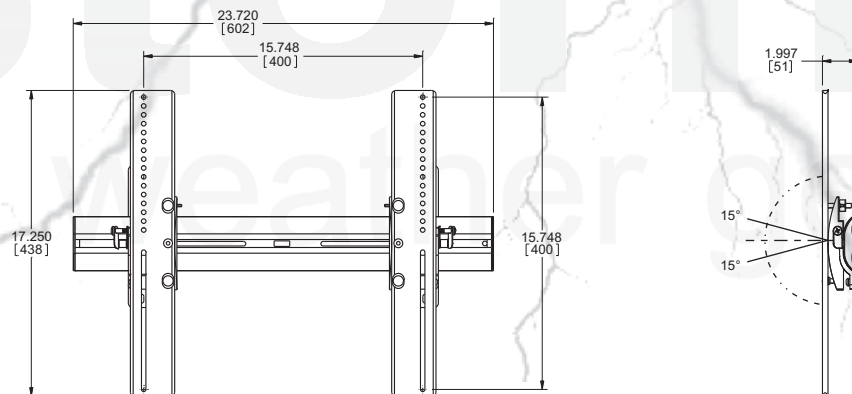


## Product features:

- Epoxy based coating with superior corrosion and UV resistance.
- Passed NEMA testing for ASTM D4329 UV Stable Certification and ASTM B117 Salt Fog Certification (400 Hrs Accelerated).
- Built-in Level for easy installation.
- Tilt range from +15° to -15°.
- Pre-Assembled and Pre-Set at 16" centers to aid in installation on standard wall studs.
- Rigid, solid aluminum construction for minimal deflection at maximum loads, with all stainless steel fasteners.
- Post-Installation lateral adjustment of 1-1/2" side to side.



## Product specifications:

Model: MMFT4W

Limited Lifetime Warranty - Minimal Assembly Required  
Designed, Engineered, and Manufactured in USA

	ENGLISH	(METRIC)
COMMON SCREEN SIZES:	23"-37"	(58.4cm - 94.0cm)
MAX LOAD:	45lbs	(20.4kg)
HOLE PATTERN RANGE: (VESA)	3 X 3", 4 X 4" 4 X 7-7/8", 7-7/8 X 7-7/8"	(75 X 75mm, 100 X 100mm 100 X 200mm, 200 X 200mm)
DIMENSIONS:	8-7/16" W X 8-7/16" H X 4-1/2" D	22 W X 22 H X 12 D cm
SHIPPING WEIGHT:	6lbs	2.72kg

