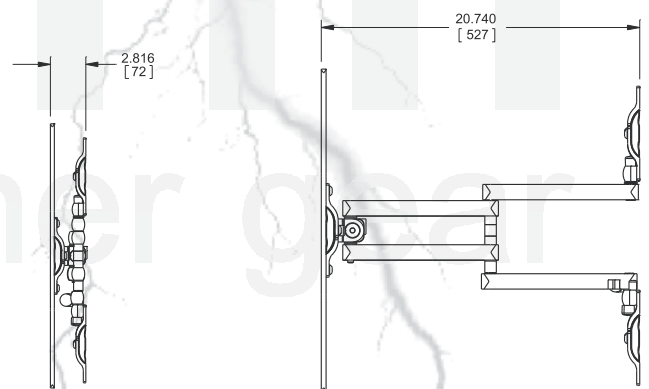
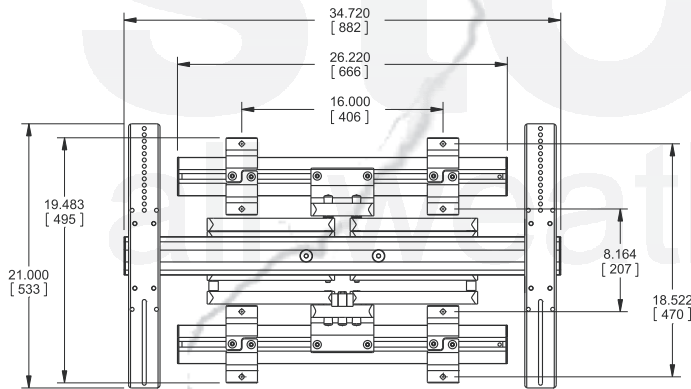




## Product features:

- Epoxy based coating with superior corrosion and UV resistance.
- Passed NEMA testing for ASTM D4329 UV Stable Certification and ASTM B117 Salt Fog Certification (400 Hrs Accelerated).
- Lowest profile scissor mount in its class, patent pending.
- Horizontal shift capabilities of 9.000" left or right.
- Collapses to flush from any position with minimal effort.
- Rigid, solid aluminum construction for minimal deflection at maximum loads, with all stainless steel fasteners.
- Tilts up or down in the collapsed position.
- No buttons, screws, or knobs required. Simply adjust your display to the desired position and walk away.



## Product specifications:

Model: MLDSW

ENGLISH

Limited Lifetime Warranty - Minimal Assembly Required  
Designed, Engineered, and Manufactured in USA

(METRIC)

COMMON SCREEN SIZES:	37"-65"	(94.0cm - 165.1cm)
MAX LOAD:	100 lbs	(45.4 kg)
HOLE PATTERN RANGE: (VESA)	7-7/8 X 7-7/8", 7-7/8 X 15-3/4" 15-3/4 X 15-3/4", 15-3/4 X 23-5/8" 15-3/4 X 31-1/2"	(200 X 200mm, 200 X 400mm 400 X 400mm, 400 X 600mm 400 X 800mm)
DIMENSIONS:	34-3/4" W X 21" H X 2-13/16" D	88.3 W X 53.3 H X 7.1 D cm
SHIPPING WEIGHT:	23.5 lbs	10.7 kg



tilt



leveling



pan