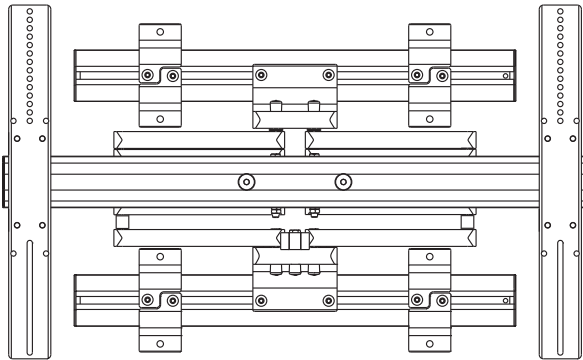


ASSEMBLY AND INSTALLATION INSTRUCTIONS

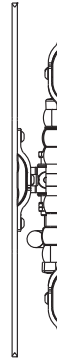
WARNING



Read ALL instructions prior to installation. SeaLand Incorporated, the manufacturer of moview® products, cannot be responsible for any damage or injury resulting from improper installation, adjustments, or use of moview® products. It is the responsibility of the purchaser to read and fully understand all directions contained herein. SeaLand will not be held responsible for any use of alternate hardware not specified in the instructions and included in supplied hardware packs. For any questions or concerns about the product, please contact moview® at 616.837.0246 or email us at info@moview.com. Thank you for your purchase. Please visit moview.com for further flat panel mounting solutions.



MLDS Large Scissor Display Mount (collapsed view)



BOX CONTENTS:

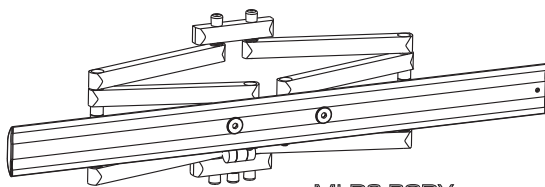
- MLDS BODY
- MLDS WALL TRACKS
- MLDS WALL HOOKS
- INSTALLATION TEMPLATE
- ASSEMBLY AND MOUNTING HARDWARE
- DISPLAY MOUNTING HARDWARE

MINIMAL TOOL REQUIREMENTS:

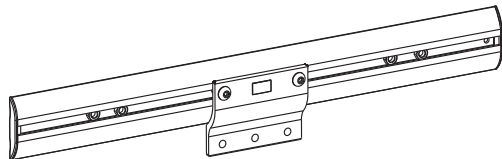
- STUD FINDER
- DRILL WITH 1/8" BIT
- 3/16" HEX WRENCH (INCLUDED)
- 7/16" HEX WRENCH
- 7/16" SOCKET (RATCHET)
- CROSS POINT SCREW DRIVER (PHILLIPS)



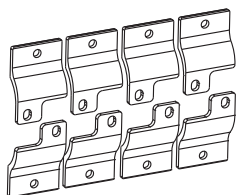
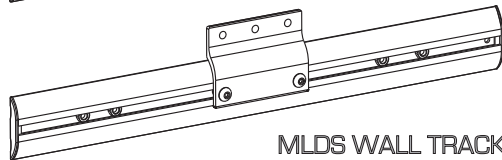
FASTENERS DEPICTED MAY VARY BY ASSEMBLY.
MLDS-W MOUNTS CONTAIN STAINLESS HEX FASTENERS



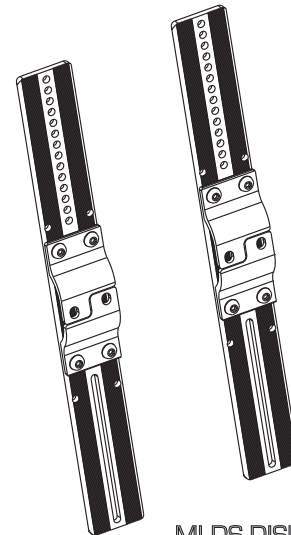
MLDS BODY



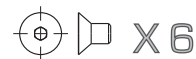
MLDS WALL TRACKS



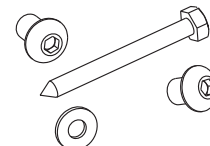
MLDS WALL HOOK SET



MLDS DISPLAY UPRIGHTS



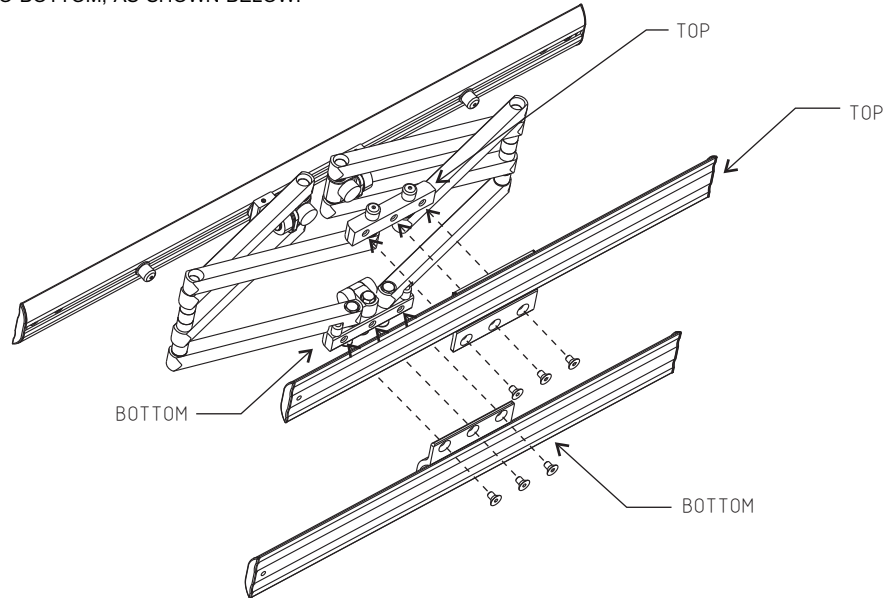
5/16"-18 X 1/2" FLAT HEAD SCREW



MISCELLANEOUS FASTENERS

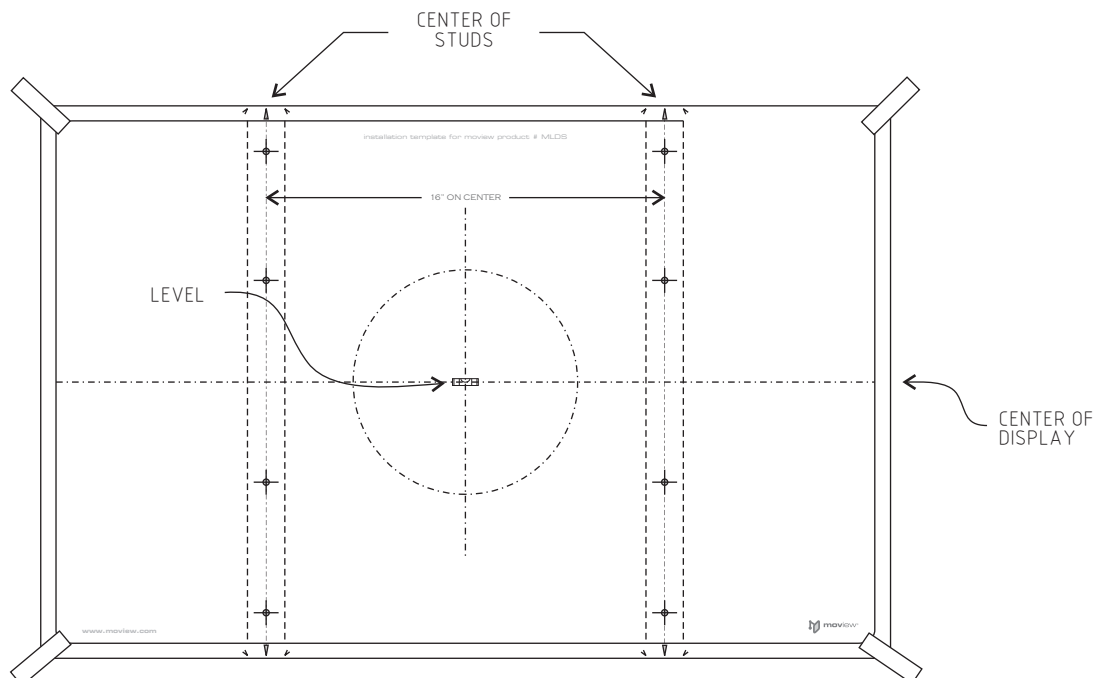
1. PRE-ASSEMBLY - MLDS BODY TO WALL TRACKS

- a. USING THE SUPPLIED 3/16" HEX WRENCH (ALLEN) INSTALL (6) 5/16-18 X 1/2" FLAT SOCKET SCREWS THRU WALL TRACKS INTO THE MAIN BODY, TOP TO TOP, BOTTOM TO BOTTOM, AS SHOWN BELOW.



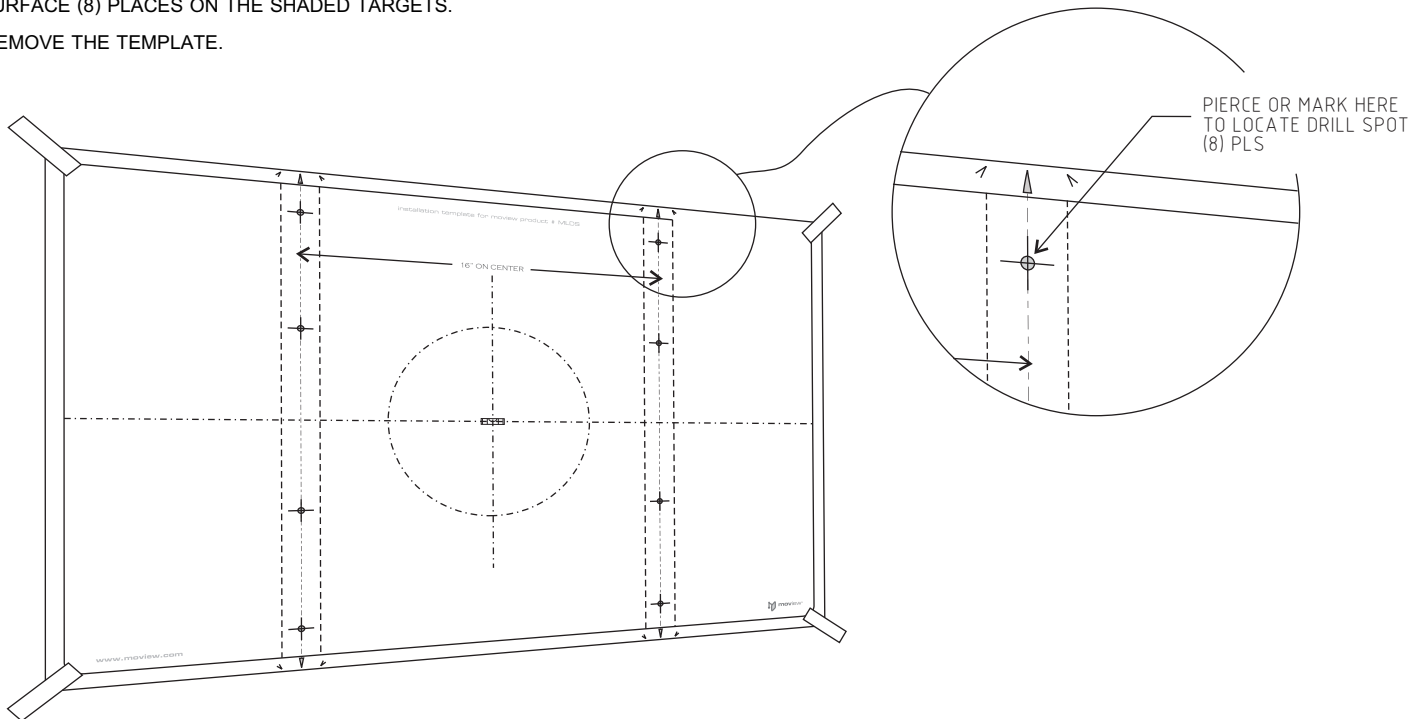
2. PLACING THE TEMPLATE

- a. USING A STUD FINDER, MARK THE CENTER OF STUDS THAT YOU WISH TO INSTALL THE FLAT PANEL MOUNT TO. FOLLOW THE STUD FINDERS' MANUFACTURERS INSTRUCTIONS FOR BEST ACCURACY.
- b. AFFIX THE INCLUDED TEMPLATE ON THE MARKED STUDS, AT THE DESIRED HEIGHT, USING INCLUDED TAPE.



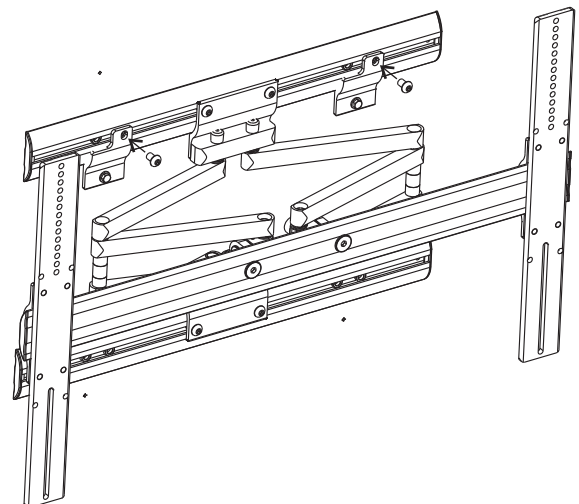
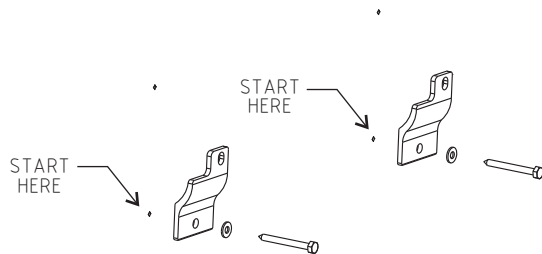
3. PREPARING THE MOUNT LOCATION

- USING A NAIL, PENCIL, OR THE TIP OF A PHILLIPS HEAD SCREWDRIVER, PIERCE THE TEMPLATE, MARK MOUNTING SURFACE (8) PLACES ON THE SHADED TARGETS.
- REMOVE THE TEMPLATE.



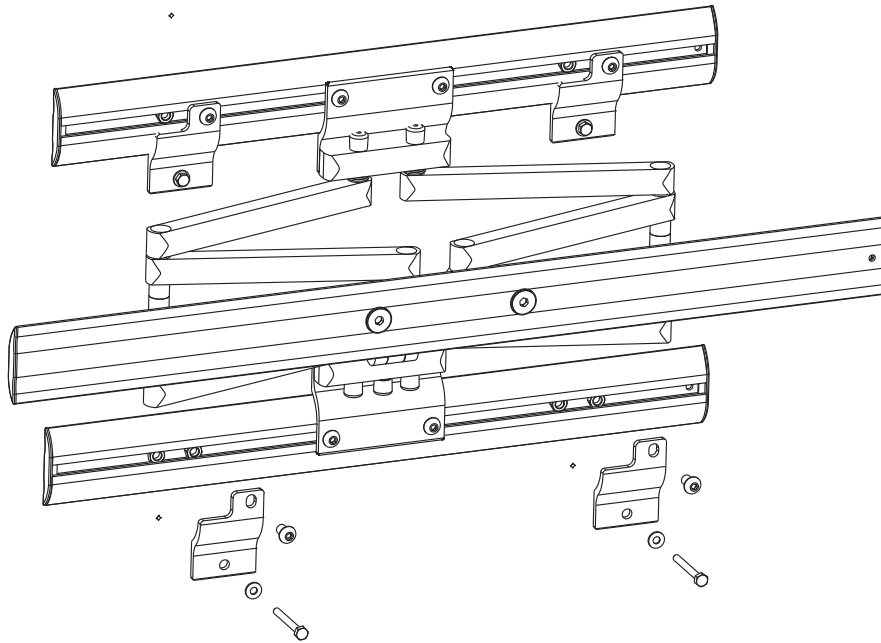
4. INSTALLING THE FIRST SET OF BRACKETS

- PRE-DRILL MARKED LOCATIONS WITH A 1/8" DRILL BIT, APPROXIMATELY 2" DEEP, 8 PLACES
- USING A 7/16" SOCKET AND DRILL (RATCHET OPTIONAL), INSTALL (2) HOOK BRACKETS AS SHOWN BELOW, IN THE LOCATIONS DEPICTED BELOW WITH 1/4" X 2-1/2" LAG SCREWS AND WASHERS.
- HANG THE PANEL MOUNT ONTO THE INSTALLED HOOKS AS SHOWN BELOW. LOCATE THE 3/8"-24 JAM NUTS INSIDE THE NUT POCKET ON THE UPPER WALL TRACK. USING A 7/32" HEX WRENCH (ALLEN), SECURE PANEL TO HOOKS WITH (2) 3/8"-24 X 5/8" BUTTON HEAD SOCKETCAP SCREW INTO THE NUTS AS SHOWN.



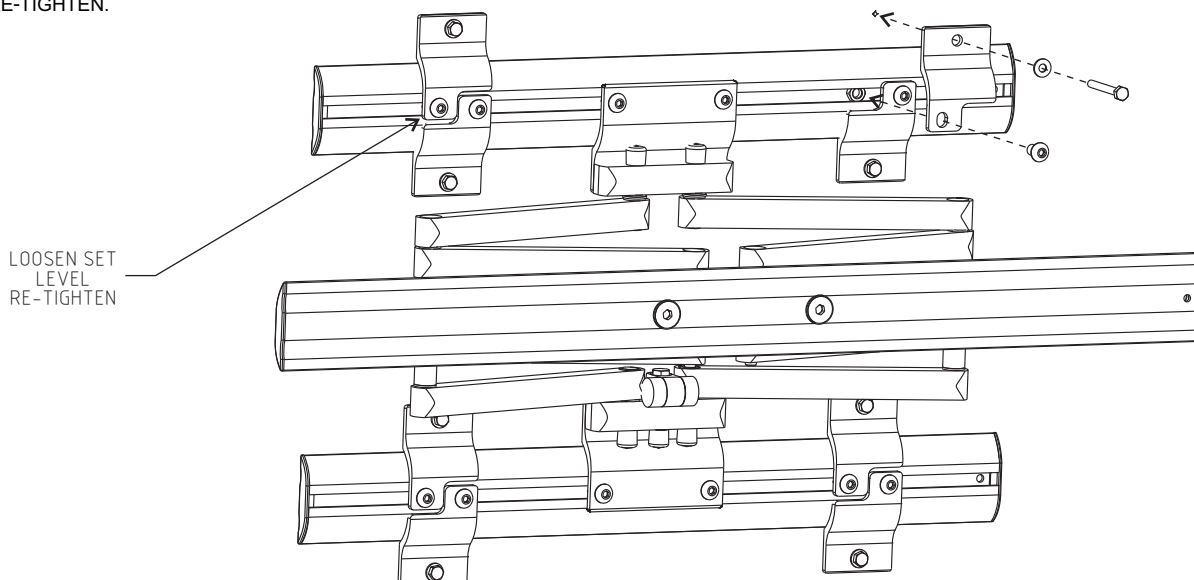
5. CONTINUING THE HOOK BRACKETS

- a. CONTINUE MOUNTING THE ASSEMBLY BY INSTALLING (2) BRACKETS ON THE LOWER WALL TRACK, AS IN STEP 4.



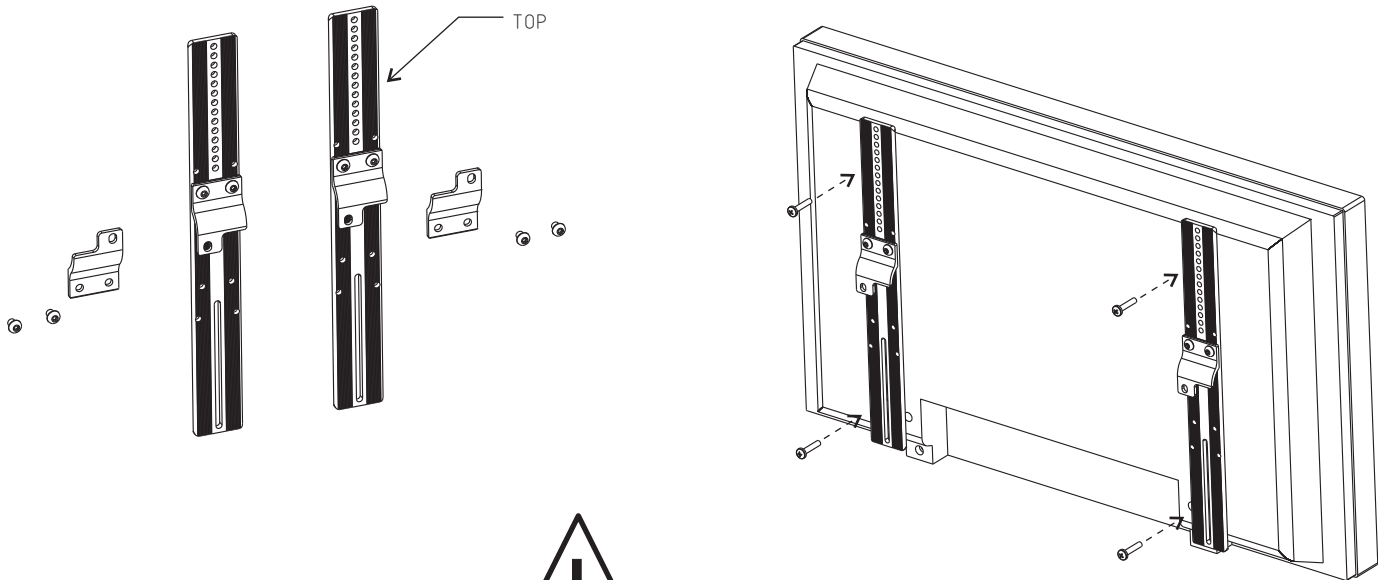
6. FINISHING THE HOOK BRACKETS

- a. FOLLOWING THE SAME METHOD AS IN STEPS 4 AND 5, REPEAT BY ADDING 4 WALL BRACKETS INVERSELY TO THE TOP AND BOTTOM WALL TRACKS AS SHOWN BELOW. FOR FINAL CANT AND LEVEL ADJUSTMENT, YOU MAY LOOSEN THE 3/8-24 SOCKET SCREWS, LEVEL, AND RE-TIGHTEN.



7. PREPARING AND INSTALLING THE MLDS DISPLAY UPRIGHTS

- a. FIND (2) DISPLAY UPRIGHTS, AND REMOVE (2) BOTTOM UPRIGHT BRACKETS BY REMOVING (4) 3/8-24 SOCKET SCREWS WITH A 7/32" HEX WRENCH, AS SHOWN BELOW. SET ASIDE FOR LATER USE. FIND THE MOST FITTING PANEL MOUNTING HARDWARE IN THE SUPPLIED KIT TO ATTACH UPRIGHTS TO THE BACK OF YOUR PANEL, AS SHOWN BELOW RIGHT.



8. SECURING DISPLAY TO MLDS SAFETY STEP!

- a. AFTER HOOKING THE DISPLAY SUB ONTO THE HORIZONTAL MEMBER OF THE WALL MOUNTED MLDS, SECURE THE DISPLAY SUB BY FIRST REINSTALLING THE UPRIGHT HOOKS THAT WERE REMOVED IN STEP 7.A WITH 3/8-24 X 1/2" BUTTON HEAD SOCKET SCREWS.
- b. FINISH SECURING THE DISPLAY TO THE MLDS BY ADDING (4) 3/8-24 X 5/8" BUTTON HEAD SOCKET SCREWS THRU THE DISPLAY HOOKS AND INTO (4) 3/8-24 JAM NUTS FOUND IN THE MLDS HORIZONTAL MEMBER.

