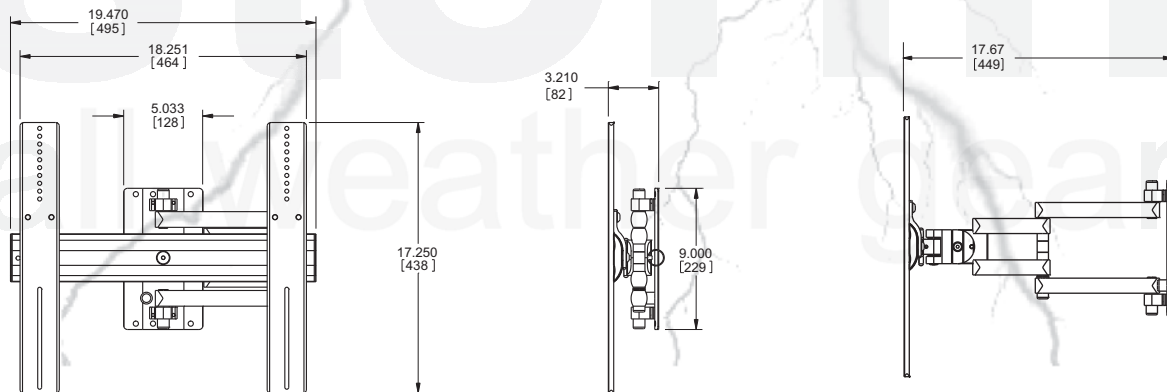




Product features:

- Epoxy based coating with superior corrosion and UV resistance.
- Passed NEMA testing for ASTM D4329 UV Stable Certification and ASTM B117 Salt Fog Certification (400 Hrs Accelerated).
- Non-Drift positioning, even at maximum loading.
- For displays up to 60 lbs., 2 position locking tilt at 0° or 25°.
- Integrated stops eliminate excess wall damage potential.
- Rigid, solid aluminum construction for minimal deflection at maximum loads, with all stainless steel fasteners.
- Wide mounting footprint to minimize wall surface load.
- No buttons, screws, or knobs required. Simply adjust your display to the desired position and walk away.



Product specifications:

Model: MDS-4W

Limited Lifetime Warranty - Minimal Assembly Required
Designed, Engineered, and Manufactured in USA

	ENGLISH	(METRIC)
COMMON SCREEN SIZES:	23"-37"	(58.4cm - 94.0cm)
MAX LOAD:	60 lbs	(27.2 kg)
HOLE PATTERN RANGE: (VESA)	3 X 3", 4 X 4", 4 X 7-7/8" 7-7/8 X 7-7/8", 7-7/8 X 15-3/4, 15-3/4 X 15-3/4"	(75 X 75mm, 100 X 100mm 100 X 200mm, 200 X 200mm 200 X 400mm, 400 X 400mm)
DIMENSIONS:	19-1/2" W X 17-1/4" H X 3-1/4" D	49.5 W X 43.8 H X 8.3 D cm
SHIPPING WEIGHT:	8.0 lbs	3.6 kg



tilt



leveling



pan



pan